

W34349



Layne-Western Company, Inc.

WATER SUPPLY CONTRACTORS

705 SO. DUFF AVE.

AMES, IOWA 50010

Phone 515 232-3563

Name of Job City of Adel Date 8/19/77

City or Village Adel, Iowa State _____

Well No.: 3 Drillers: Rich Pejsha

Well Location: _____ ft. (____) and _____ ft. (____) of the _____ corner of
Section _____, Twp. _____ (____), Range _____ (____) _____ County.

Otherwise located as 490' North of #2 Well

Work Began: _____ Work Completed: _____ Well Depth: 52' from top of casing which is

All measurements made from existing ground level at time well was drilled.

Casing Record: _____ extended above ground.

Amount	Dia.	Wt. or Thickness	Material	
<u>37</u>	<u>16"</u>	<u>3/8" Wall</u>	<u>Steel Pipe</u>	<u>with welded joints from 8' above ground to 37'</u>
_____	_____	_____	_____	<u>with _____ joints from _____ to _____</u>

Screen Record: Type 18-8 Layne

Amount	Dia.	Opening	Material	
<u>15'</u>	<u>16"</u>	<u>#6</u>	<u>SS</u>	<u>with welded joints from 37' to 52'</u>
_____	_____	_____	_____	<u>with _____ joints from _____ to _____</u>

Type of Seal at Bottom 1" Steel Plate

Hole Record:

48" inch from 0 to 44
_____ inch from _____ to _____

Gravel Pack Record:

Amount	Size	Source	From	To
<u>28 yds</u>	<u>3/8" Pea</u>	<u>Pasco Pit</u>	<u>20'</u>	<u>44' from ground level</u>
_____	_____	<u>Adel, Iowa</u>	_____	_____

Cementing Record: Concrete from ground level - 20'

Backfill Record: _____

WELL NO. 3
 CITY OF ADEL
 ADEL, IOWA

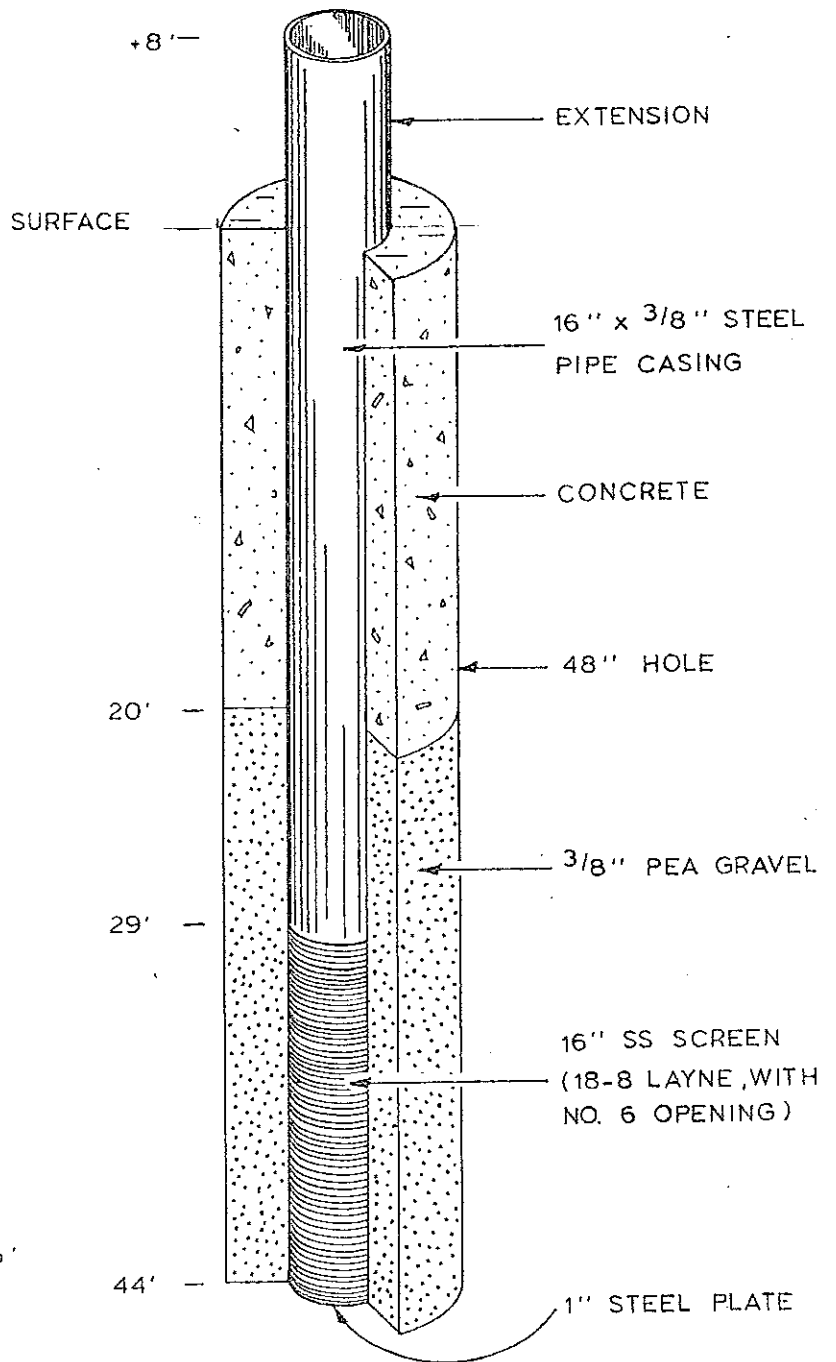
LW Co. Inc., Ames, Ia.

8-77

GEOLOGICAL LOG

CONSTRUCTION DETAIL

BROWN CLAY SILT	3'
FINE BROWN SAND	4'
COARSE BROWN SAND AND MEDIUM GRAVEL	13'
VERY COARSE, LOOSE SAND AND GRAVEL W/ LARGE BOULDERS	45'
GRAY SHALE	



WELL TEST DATA SHEET #1



Layne-Western Company, Inc.

WATER SUPPLY CONTRACTORS

705 SO. DUFF AVE.

AMES, IOWA 50010

Phone 515 232-3563

Job.....City of Adel..... Well no.....3..... Date Tested.....8/15/77.....
 Location.....490' North of #2 Well..... Tested By.....Rich Pejsha.....
 Dia. of Well.....16"..... Driver.....450 Int'l Engine.....
 Depth of Well.....45'..... Pump Used:..... Column and Shaft.....6" x 1½".....
 Length of Airline.....37'..... Bowls.....8" THC, 10 Stage.....
 Non-Pumping Level.....11'..... Manufacturer.....Layne.....
 Orifice Size.....6 x 4..... Serial No.....

Time	Pizometer Reading (in.)	G. P. M.	Air Gauge Reading (feet)	Pumping Level	Drawdown	Disch. Pressure		Total Pumping Head	Remarks
						Lbs.	Feet		
9:30			STARTED PUMPING					RPM	
10:00	41	406	14	23	12	10		1200	Dirty
10:30	41	406	14	23	12	10		1200	"
11:00	41	406	14	23	12	10		1200	Clear
12:00	41	406	14	23	12	10		1200	"
1:00	41	406	14	23	12	10		1200	"
2:00	41	406	14	23	12	10		1200	"
3:00	41	406	14	23	12	10		1200	"
4:00	41	406	14	23	12	10		1200	"
5:00	41	406	14	23	12	10		1200	"
6:00	41	406	14	23	12	10		1200	"
7:00	41	406	14	23	12	10		1200	"
8:00	41	406	14	23	12	10		1200	"
9:00	41	406	14	23	12	10		1200	"
10:00	41	406	14	23	12	10		1200	"
11:00	41	406	14	23	12	10		1200	"
12:00	41	406	14	23	12	10		1200	"
1:00	41	406	14	23	12	10		1200	"
2:00	41	406	14	23	12	10		1200	"
3:00	41	406	14	23	12	10		1200	"
4:00	41	406	14	23	12	10		1200	"
5:00	41	406	14	23	12	10		1200	"
6:00	41	406	14	23	12	10		1200	"
7:00	41	406	13	24	13	10		1200	"
8:00	41	406	13	24	13	10		1200	"

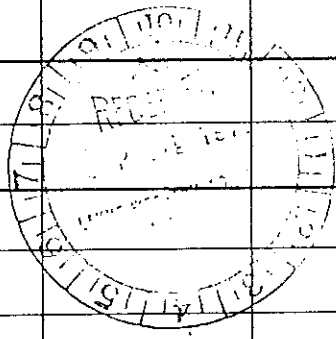
CUSTOMER Layne Western Co.

DATE 8-30-77

ADDRESS Ames, Iowa

JOB NAME Adel, Iowa

SAMPLE NUMBER		77360			
DATE COLLECTED					
DATE RECEIVED		8-30-77			
SAMPLING POINT		Well No. 3 Pumping Test - 406 gpm, 18 hours			
CALCIUM	PPM AS	246			
	CaCO ₃				
MAGNESIUM	PPM AS	104			
	CaCO ₃				
SODIUM	PPM AS	47			
	CaCO ₃				
ALKALINITY (M)	PPM AS	352			
	CaCO ₃				
ALKALINITY (P)	PPM AS	0			
	CaCO ₃				
SULFATE	PPM AS	38			
	CaCO ₃				
CHLORIDE	PPM AS	7			
	CaCO ₃				
TOTAL HARDNESS	PPM AS	350			
	CaCO ₃				
NON CARBONATE HARD	PPM AS	0			
	CaCO ₃				
FREE CARBON DIOXIDE	PPM AS	90			
	CO ₂				
IRON	PPM AS	0.22			
	FE				
MANGANESE	PPM AS	0.1			
	MN				
pH		6.9			
TURBIDITY	TURBIDITY UNITS	0.7			
COLOR	AWWA				



REMARKS:

John Wiskus
CHEMIST *gw*

PUMP INSTALLATION

JOB NAME City of Adel
 Address _____
 City, State Adel, Iowa
 DATE 11 26 86 Job Completion
 Month Day Year
 PUMP NO. 56225L Oil-Water Lube
 Pump Trouble New Repair

MOTOR OR GEAR DRIVE
 Make U.S. Hollow shaft HP 30
 Speed 1750 Volts 230
 Or Gear Drive Ratio Standard Combination
 Frame Size _____ Non-Reverse — Yes No
 Running Amps. 74-74-80
 Running Volts 230
 Serial No. _____

PUMP SIZE		
	DIAMETER	LENGTHS
Discharge	Above Below	X
Column	<u>6</u> <u>Screw</u> Flange	2x10 3x 5
Tubing		
Shaft	Stainless Carbon	

Column setting to bowl 35 ft.
 BOWL
 Diameter 8 Shaft Diameter 1 3/16
 Type RKH Stages 10
 Cast Iron or Bronze
 Suction 6 " Diameter 5 Ft. Long
 Special Paint or Coating on: _____ Zinc Sleeves in:
 Column _____
 Tubing _____

WELL
 No. 3 Year Drilled _____
 Location N.E. corner well field
 Diameter 16" Depth _____
 Measured from top of 16 " diameter casing which is
 _____ feet above ground
 Tape to Water _____
 Air Line Length 35 A.L. Material Toro
 Static Gage 70' Static Level _____
 Pumping Gage 100 psi Pumping Level _____
 Discharge Pressure _____ Feet when pumping into
 System _____
 INSTALLER D. Heldt
 Rig Used _____
 Foreman Hours to Rig Up _____ To Pull _____
 Inspect _____ Repair _____ To Set _____

PUMP REPAIR	
CONDITION OF PUMP WHEN PULLED	NEW PARTS INSTALLED
Column _____	Column <u>2 - 10' columns 3 - 5' column</u> <u>5 - 6x1 combination couplings</u>
Tubing _____	Tubing _____
Shafting _____	Shafting <u>5 new sleeves</u>
Bowl _____	Bowl _____
Suction _____	Suction _____
MACHINE WORK _____	1. DRAIN PORTS OPEN <input checked="" type="checkbox"/> Yes No 2. CHLORINATE WELL <input checked="" type="checkbox"/> Yes No 3. PUMP RUNS _____ 4. ALIGN PUMP HEAD WITH DIAL INDICATOR <input checked="" type="checkbox"/> Yes No 5. GROUTED HEAD-BASE PLATE <input checked="" type="checkbox"/> Yes No