



Layne-Western Company, Inc.

WATER SUPPLY CONTRACTORS

705 SO. DUFF AVE.

AMES, IOWA 50010

Phone 515 232-3563

Name of Job City Water Department Date 8/2/83

City or Village Adel State Iowa

Well No.: 5 Drillers: Gale McIntosh

Well Location: _____ ft. (____) and _____ ft. (____) of the _____ corner of
Section _____, Twp. _____ (____), Range _____ (____) _____ County.

Otherwise located as 500' West of Well #2

Work Began: 8/2/83 Work Completed: 8/9/83 Well Depth: 42'

All measurements made from existing ground level at time well was drilled.

Casing Record:

Amount	Dia.	Wt. or Thickness	Material		
<u>2'</u>	<u>16" x 18"</u>	<u>.375</u>	<u>steel</u>	<u>with welded joints from</u>	<u>25 to 27</u>
<u>38'</u>	<u>16"</u>	<u>.375</u>	<u>steel</u>	<u>with welded joints from</u>	<u>+13 to 25</u>

Screen Record: Type Layne Shutter

Amount	Dia.	Opening	Material		
<u>15'</u>	<u>18"</u>	<u>4</u>	<u>S.S.</u>	<u>with welded joints from</u>	<u>27 to 42</u>
				<u>with _____ joints from</u>	<u>_____ to _____</u>

Type of Seal at Bottom S.S. Plate welded on screen

Hole Record:

60 inch from 0 to 42.5
_____ inch from _____ to _____

Gravel Pack Record:

Amount	Size	Source	From	To
<u>30 Ton</u>	<u>1/8 x 1/4</u>	<u>Northern Gravel</u>	<u>17</u>	<u>42.5</u>

Cementing Record: 0 - 10'

Backfill Record: 10' to 17' Clay w/3% Laynite

WELL 5

CITY OF ADEL

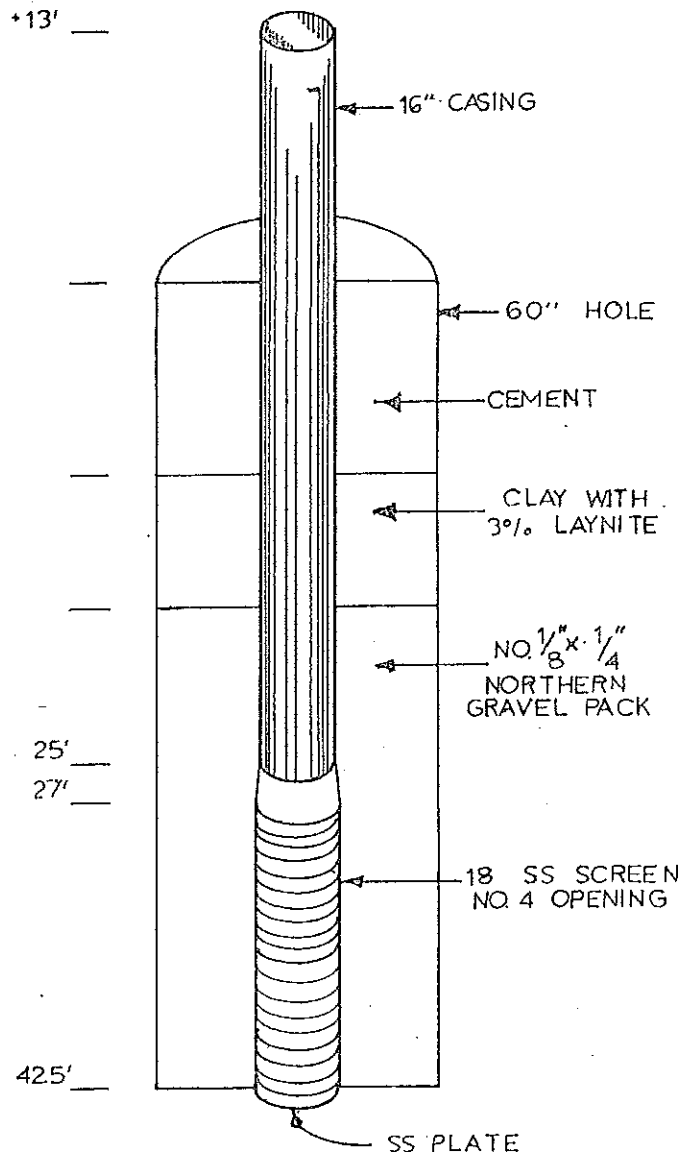
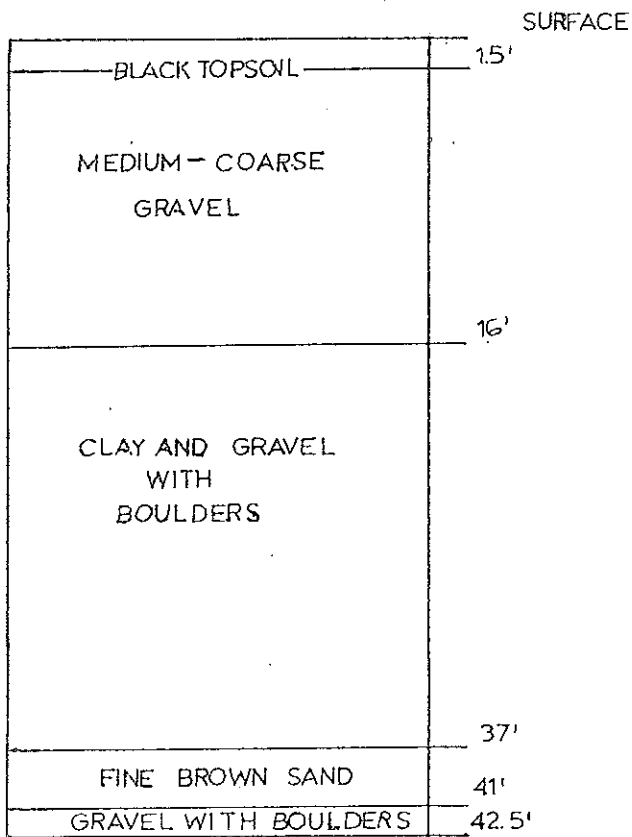
ADEL, IA.

LW CO. INC., AMES, IA.

8-83

GEOLOGICAL LOG

CONSTRUCTION DETAIL



WELL & PUMP SERVICE REPORT
(Record File - Pump Record Book)



CUSTOMER City of Adel PUMP NO. 101647

DATE 8-19-94 ADDRESS 102 S. 10th, Adel, IA 50003 WELL NO. 5

1. WELL: Location Existing well field

Dia. 16" Depth 55' Static Level 22' Casing Material Steel

2. MOTOR OR GEAR DRIVE: Mfg. US HP 30 Serial No. R-7184-03-586

Frame 286TPH Volts 230 Phase 3 RPM 1750 Clutch Bore 1" NRR Yes

Bearing No.'s Upper - 7310B-T Lower - 621022J/C3 Submersible Dia. _____ Length _____

3. PUMP: Mfg. Layne Discharge Dia. 6" Depth of Setting 40'

Column Dia. 6" (OD) (ID) Shaft/Tubing Dia. 1 3/16" Shaft Material Stainless steel

Bowl Serial No. 101647 Dia. 10" Type RKLC No. Stages 6 Length 8'

Suction Dia. None Length _____ Strainer _____ Lubrication Water

4. MISCELLANEOUS: Airline Length 40' Material Toro Does it Work Yes

Water Meter Size 6" Mfg. _____ Material _____ Does it Work _____

Blow Off Dia. _____ Dresser Sleeve Dia. _____ Static Pressure _____

5. WORK DONE: Reason for doing work Chemical treatment and pump repair

Well Treatment Pump Repair New Pump Was Pump Pulled Yes Describe Condition:

Column Bad Shaft Good Tubing _____ Bowl Bad Suction _____

Before Treatment or Repair: Time _____ GPM _____ DD _____ PSI _____ Sand _____

After Treatment or Repair: Time _____ GPM _____ DD _____ PSI _____ Sand _____

Equipment Used Pump Service Rig

Surging Equipment 16" surge block Material pulled in _____ Ft.

6. COMMENTS: Describe Repair or Treatment, List Repair Parts, New Piping, Switches, Controls:

New bowl assembly, 2 - 6" x 5' column pipe, 3 - 6" x 10' column pipe, 4 - 1" rubber line shaft bearings, 4 - 1" stainless steel shaft sleeves, 1 - 1" stuffing box bearing, 1 - Lot packing, Vertical hollow shaft motor repairs, 1 - 6" swing check valve, 110 gallons Laynite bactericide, 1000 gallons Laynite acid, Epoxy coating for column pipe.

Pump Runs Good Rough

Pump Installer Greg Hughes Customer Rep. Rick Miles

(Please use back if more space is needed)