

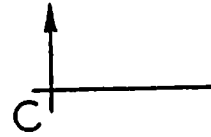
*Black Topsoil*

*Soft Gray, Sandy Clay, w/ Gravel*

*Gray Sand w/ Boulders*

*Gray Sand w/ Gravel*

*Brown Sandy Clay*



Channel Iron

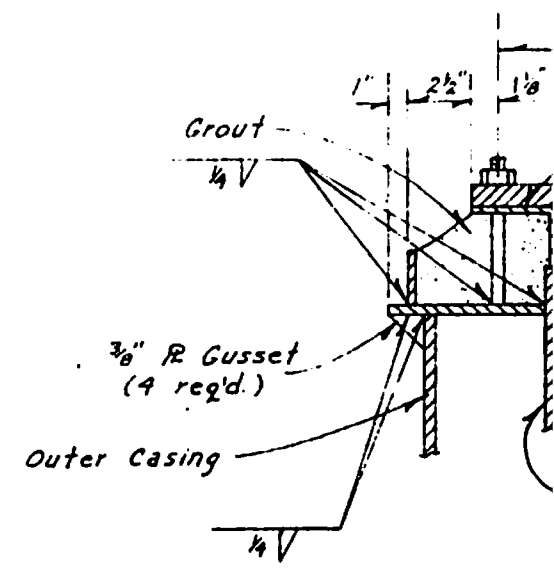
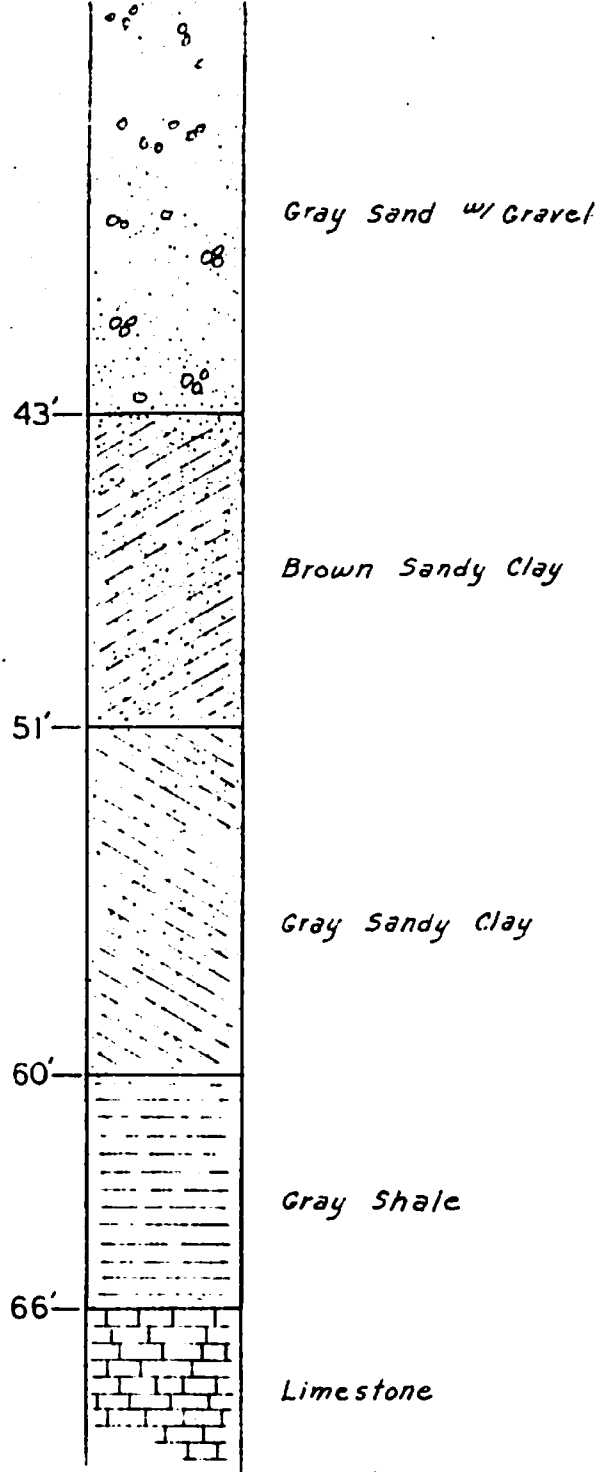
PLA

Hasp & Padlock

SECT

ROOF H  
SC

*Plans dated 11-74*



WELL  
SCA

TEST HOLE LOG  
NO SCALE